

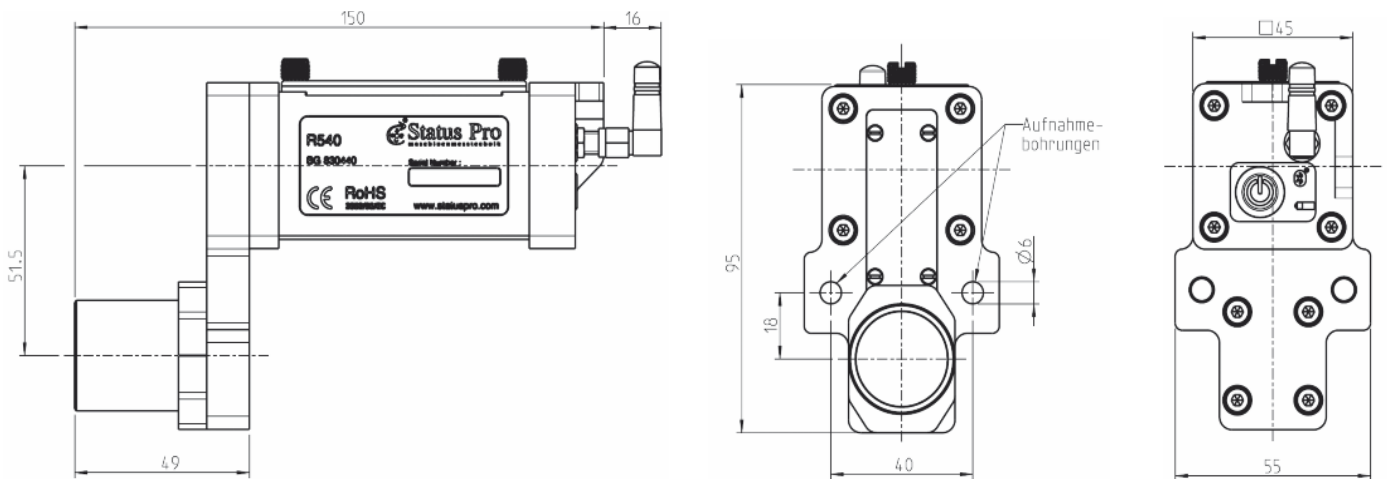
R540

Laser Receiver with a 2-Axis-PSD Technology and Bluetooth Interface

Article number: BG 830440



The R540 is a very accurate and yet robust Laser Position Sensor especially developed for measuring linearity. The R540 has a downwardly offset detector lens enabling measurement directly above the object. This minimizes offset error due to "tilt" or roll. Connection with the Measurement PC for recording and display purposes is over Bluetooth. The R540 is powered by a commonly used Li-Ion Pack (externally rechargeable) ensuring continual measurement availability. Combined with the Pro Line software and a Bluetooth distance measurement meter, you are equipped to measure the X,Y and Z Axes simultaneously.



Technical Data

Display:	Measurement displayed over Display Unit / PC	Battery operating time:	> 8 Hours
Measurement range:	Ø 20 mm, minus the Laser-Ø	Protection Class:	IP 54
Resolution:	0.1 µm (with ProLine Software)	Housing:	Aluminium, anodised
Measurement uncertainty:	± 1 µm + 0.5 % Sensor nonlinearity	Weight (without battery):	458 g
Laser Wavelength:	650 nm / modulated	Weight (with battery):	502 g
Interface:	Bluetooth Class 2 (Range up to 50 m)	Dimensions (B x H x T):	55 x 95 x 166 mm
Power supply:	7,4 V Li-Ion Battery Pack, exchangeable		

Necessary accessories: BT 800071 Li-Ion battery pack, BT 800072 external charger

CE All Status Pro Laser and Receiver Instruments are developed and manufactured according to the following CE Standards: EN 55 011, EN 55 022, EN 61 000-4-2, EN 61 000-4-3, EN 60 335.

This document was prepared with the utmost of care. Changes and errors cannot be completely avoided.

Declaration of conformity

In accordance with the EMC Directive 2004/108/EC, the Low Voltage Directive 73/23/EEC, including **amendments by the CE-marking Directive 93/68/EEC & EC directives RoHS, 2011/65/EU.**

Type of equipment	Laser Receiver
Brand name or trade mark	Status Pro Maschinenmesstechnik GmbH
Type designation(s) / Model no(s)	R540 – BG 830440
Manufacturer's name, address, telephone & fax no	Status Pro Maschinenmesstechnik GmbH Mausegatt 19 D-44866 Bochum Germany Tel.: +49 (0) 2327 / 9881 – 0 Fax: +49 (0) 2327 / 9881 – 81

The following standards and/or technical specifications, which comply with good engineering practice in safety matters in force within the EEA, have been applied:

Standard / Test report / Technical construction file / Normative document

Emission: EN 61000-6-3:2007.
Immunity: EN 6100-6-2:2005, EN 61000-4-2, -3.
ISO9001:2008 Ref. No / Issued by:
DNV Certification No. 2009-SKM-AQ-2704 / 2009-SKM-AE-1419.

The wireless device complies with Part 15 of the FCC Rules. Operation is subject to the following two conditions:

- (1) this device may not cause harmful interference, and
- (2) this device must accept any interference received, including interference that may cause undesired operation.

Additional information

The product was CE-marked in 2004.

As manufacturer, we declare under our sole responsibility that the equipment follows the provisions of the Directives stated above.

Place and date of issue

Bochum, 2014-04-01

Signature of authorized person



David Foley, Managing Director



Status Pro Maschinenmesstechnik GmbH

Mausegatt 19 · 44866 Bochum · Germany

☎ + 49 (0) 2327 - 9881 - 0

☎ + 49 (0) 2327 - 9881 - 81

www.statuspro.com · info@statuspro.com

Industriestraße 11 · 85609 Aschheim · Germany

☎ + 49 (0) 89 - 904864 - 0

☎ + 49 (0) 89 - 904864 - 19